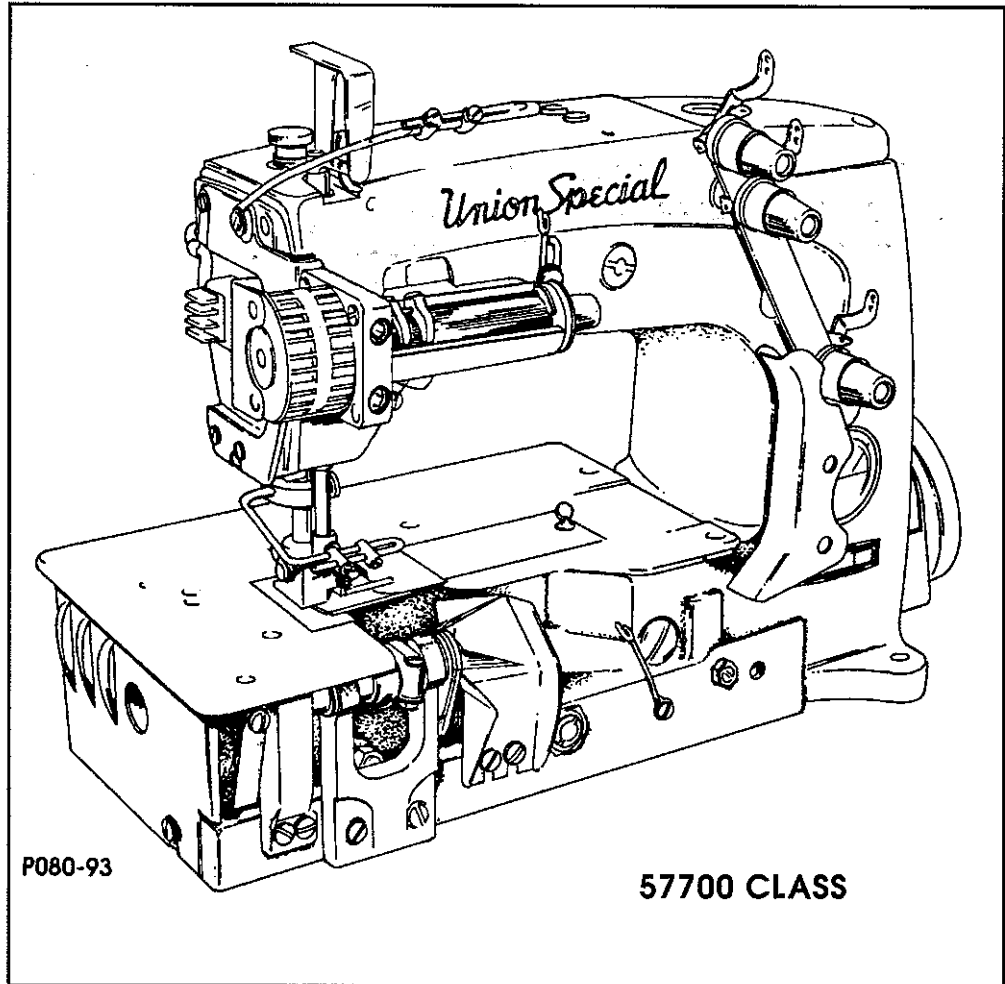


MANUAL NO.
PRT9307

ILLUSTRATED PARTS LIST

STYLE
57700CER8
57700CER12



Union Special
INDUSTRIAL SEWING EQUIPMENT

Manual No. PRT9307 Illustrated Parts List for Styles 57700CER8 & 57700CER12

Second Edition Copyright 1994

By

Union Special Corporation Rights Reserved In All Countries

Printed in U.S.A. January 1994

PREFACE

This parts manual has been prepared to assist you in locating individual parts or assemblies on the 57700 Series machines. It can be used in conjunction with Union Special Adjusting manual INS9308.

It is the desire of Union Special that each machine run at its optimum performance. Parts listed in this manual are designed specifically for your machine and are manufactured with utmost precision to assure long lasting service.

This manual has been comprised on the basis of available information. Changes in design and/or improvements may incorporate a slight modification of configuration in illustrations or part numbers.

On the following pages are illustrations and terminology used in describing the parts used on the 57700 Series machines.

SAFETY RULES



General Operating Directions

The sewing machines described in this manual are prohibited from being put into service until it has been ascertained that the sewing units, in which these sewing machines will be built-in have conformed with the EC Council Directives (89/392/EEC, Annex II B).

1. Before putting the machines described in this manual into service, carefully read the instructions. The starting of each machine is only permitted after taking notice of the instructions and by qualified operators.

IMPORTANT! Before putting the machine into service, also read the safety rules and instruction from the motor supplier.

2. Observe the national safety rules valid for your country.
3. Each machine is only allowed to be used as foreseen. The foreseen use of the particular machine is described in paragraph "STYLES OF MACHINES" of this manual. Another use, going beyond the description, is not as foreseen.
4. All safety devices must be in position when the machine is ready for work or in operation. Operation of the machine without the appertaining safety devices is not allowed.
5. The following safety devices are components of the sewing machines: Fingerguard, needle lever eyelet guard, needle bar guard, needle break protection shield and handwheel-belt guard.
6. When gauge parts are exchanged (e.g. needle, presser foot, needle plate, feed dog and bobbin) during threading, when the operator leaves the workplace, and during service work, the machine must be isolated form the main power by switching off the main switch or disconnecting the main plug. On mechanically operated clutch motors without a start inhibitor it is necessary to wait until the motor has stopped.

7. Wear safety glasses.
8. In case of machine conversions and changes all valid safety rules must be considered. Conversions and changes are made at your own risk.
9. Commissioning of the sewing head is prohibited until such time as the entire sewing unit is found to comply with EC regulations.
10. The warning hints in the instructions are marked with one of these two symbols:



Items require special attention



Danger of injury to operative or service staff

Be sure to observe and adhere to these indications and to the generally applicable regulations.

Special Operating Directions

11. For the following the machine has to be disconnected from the power supply by turning off the main switch or by pulling out the main plug:
 - 11.1 For threading needle(s), looper, spreader etc.
 - 11.2 For replacing sewing tools such as needle, presser foot, throat plate, looper, spreader, feed dog, needle guard, folder, fabric guide etc.
 - 11.3 When leaving the workplace and when the workplace is unattended.
 - 11.4 For maintenance work.
 - 11.5 When using clutch motors without actuation lock, wait until the motor is stopped totally.

General Maintenance Directions

12. Maintenance, repair and conversion work (see item 8) must be done only by trained technicians or special skilled personnel under consideration of the instructions.
13. Any work on the electrical equipment must be done by an electrician or under direction and supervision of special skilled personnel.

Special Maintenance Directions

14. Work on parts and equipment under electrical tension is not permitted. Permissible exceptions are described in the applicable sections of standard sheet DIN VDE 0105.
15. Before doing maintenance and repair work on the pneumatic equipment, the machine has to be disconnected from the compressed air supply. In case of existing residual air pressure after disconnecting from compressed air supply (e.g. pneumatic equipment with air tank), the pressure has to be removed by bleeding.

Exceptions are only allowed for adjusting work and function checks done by special skilled personnel.

Standards

17. The sewing machines described in this manual are built according to the following standards:

EN292-2 Safety of machinery-basic concepts, general principles for design.

IEC204-3-1/EN60204-3-1 Electrical equipment of industrial machines. Part 3: Particular requirements for sewing machines, units and systems.

CONTENTS

•IDENTIFICATION OF MACHINE	4
•STYLE OF MACHINE	4
•ORDERING REPAIR PARTS	4
•NEEDLES	5
•TERMS	5
•MAIN FRAME, MISCELLANEOUS COVERS & OILING PARTS	7
•MAIN FRAME, BUSHINGS, OIL GAUGE & MISCELLANEOUS OILING PARTS	9
•CRANKSHAFT, NEEDLE LEVER, NEEDLE BARS & LOOPER DRIVING PARTS	11
•CRANKSHAFT, NEEDLE LEVER, NEEDLE BARS & LOOPER DRIVING PARTS (CONT.)	13
•LOOPER ROCKER & CONNECTING ROD PARTS	15
•MAIN SHAFT, TAKE-UP & FEED DRIVING PARTS	17
•MAIN SHAFT & KNIFE DRIVING PARTS	19
•THREAD TENSION & LIFTER LEVER PARTS	21
•CLOTH PLATES, COVERS, OIL SHIELDS & SYNCHRONIZER KIT	23
•FEED DOGS, THROAT PLATES & PRESSER FEET	25
•THREAD STAND & MISCELLANEOUS ACCESSORIES	27
•STEPPER MOTOR METERING DEVICE	29
•NUMERICAL INDEX OF PARTS	30
•NOTES	31

IDENTIFICATION OF MACHINE

Each Union Special machine is identified by a Style number which is on the name plate on the machine.

STYLE OF MACHINE

Advanced high speed, two needles abreast, one looper, flat bed medium throw machine, needle bearing, needle bar drive, light weight presser bar and needle bar driving mechanism, single reservoir, enclosed positive automatic lubricating system, filtered oil, return pumps for head/base. Lateral looper travel, double disc take-up, large handwheel and improved belt guard. Prepared for use with knee press for presser foot lifter, equipped with disc thread tensions, maximum work space right of needle bar 8 1/4" (209.55mm).

ORDERING REPAIR PARTS

57700CER Two needle plain feed machine, equipped with a stepper motor driven upper metering device and fabric undertrimmer, for attaching elastic in long lengths, 1/4" to 1 1/2" (6.35mm to 38.10mm) wide, to rayon, silk, cotton, nylon and wool, flat and ribbed knit garments and for similar operations on light to medium weight materials. Standard 8 & 12 gauge. Seam specification 406-LSa-1. Type 121 GBS needle. Maximum recommended speed 5500 R.P.M..

ILLUSTRATIONS

This manual has been arranged to simplify ordering repair parts. Exploded views of various sections of the mechanism are shown so that the parts may be seen in their actual position in the machine. On the page opposite the illustration will be found a listing of the parts with their part numbers, description and the number of pieces required in the particular view being shown.

Numbers in the first column are reference numbers only, and merely indicate the position of the part in the illustration. The reference number should never be used in ordering parts. Always use the part number listed in the second column.

Component parts of sub-assemblies which can be furnished for repairs are indicated by indenting their descriptions under

Component parts of sub-assemblies which can be furnished for repairs are indicated by indenting their descriptions under the description of the main sub-assembly. As an example refer to the following text.

9.	29126 EC	Upper Looper Drive Shaft Assembly	1
10.	22503 F	Screw	1
11.	39543 E	Cam Follower Locking Clamp	1

When a part is common to all machines covered in this manual, no specific usage will be mentioned in the description. However, when the parts for the various machines are not the same, the specific usage will be mentioned in the description and, if necessary, the difference will be shown in the illustration.

A numerical index of all the parts shown in this manual is located at the back. This will facilitate locating the illustration and description when only a part number is known.

IDENTIFYING PARTS

Where the construction permits, each part is stamped with its part number. On some of the smaller parts and on those where construction does not permit, an identification letter is stamped in to distinguish the part from similar ones.

PLEASE NOTE: Part numbers represent the same part, regardless of which manual they appear. On all orders please include part number, name and style of machine for which the part was ordered.

NEEDLES

Each needle has both a type and size number. The type number denotes the kind of shank, point, length, groove, finish and other details. The size number, stamped on the needle shank, denotes the largest diameter of the blade measured between the shank and the eye. Collectively, the type number and size number represent the complete symbol which is given on the label of all needles packed and sold by Union Special.

TYPE

DESCRIPTION

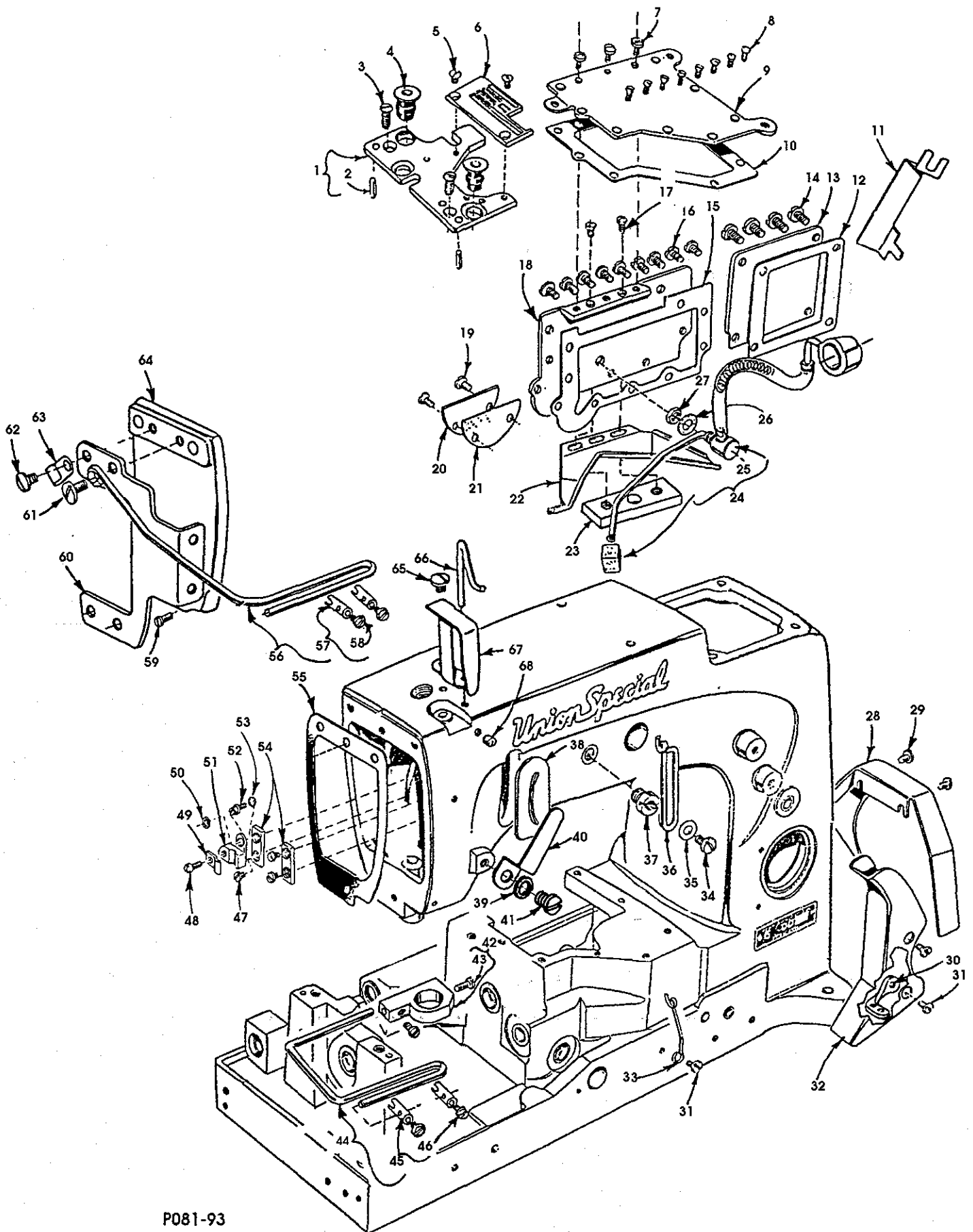
121 GBS Round shank, round point, short, single groove, struck groove, spotted, ball point, chromium plated.
 Sizes available 065/025, 070/027, 075/029, 080/032, 090/036, 100/040.

When changing needles, make sure it is fully inserted in the needle head before the screws are tightened.

To have needles promptly and accurately filled, an empty package, a needle sample, or the type and size number should be forwarded. Use the description on the label. A complete order should read as follows: "100 needles, type 121 GBS, size 070/027".

TERMS

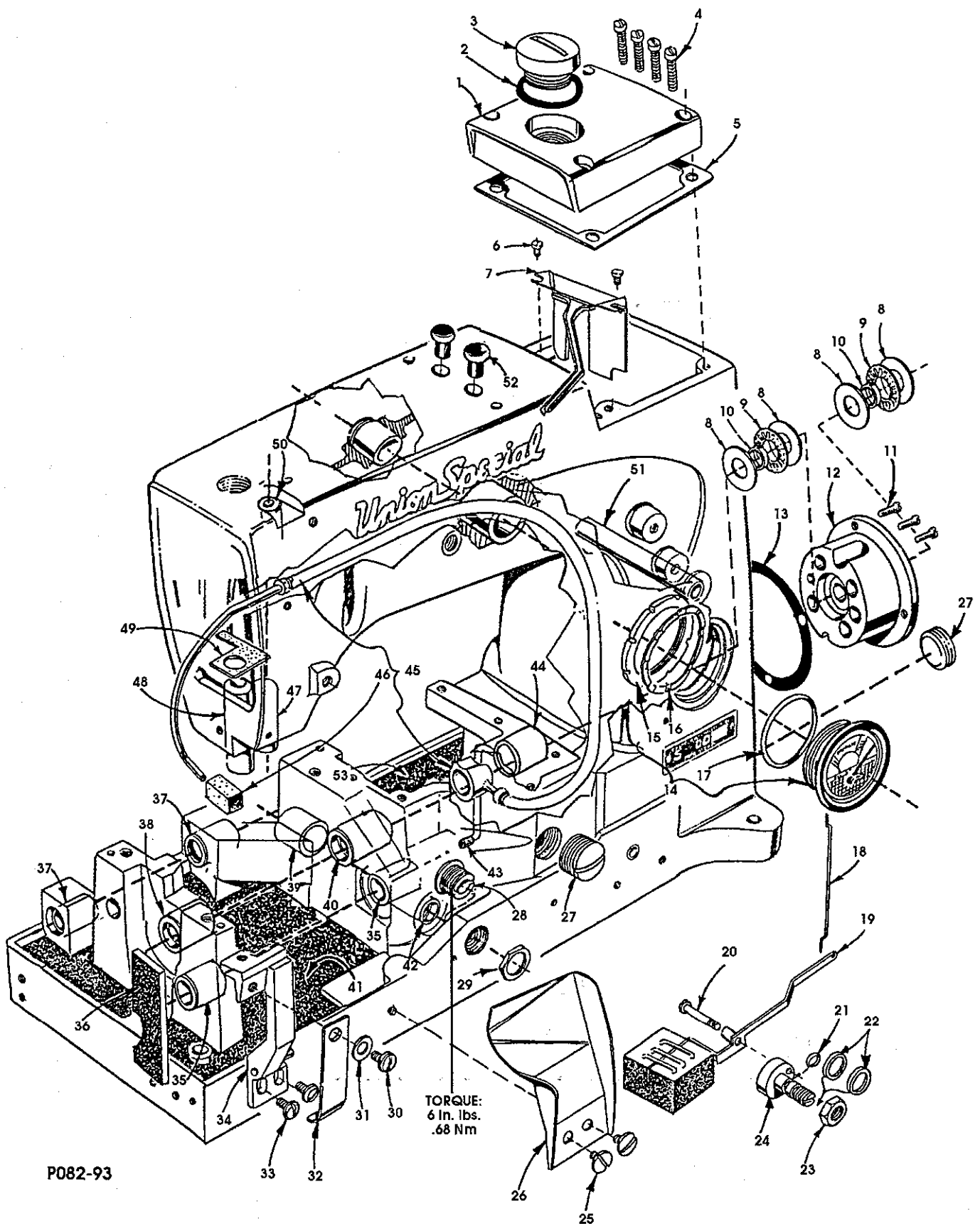
Prices are net cash and subject to change without notice. All shipments are forwarded F.O.B. shipping point. A charge is made to cover postage and insurance.



P081-93

MAIN FRAME, MISCELLANEOUS COVERS & OILING PARTS

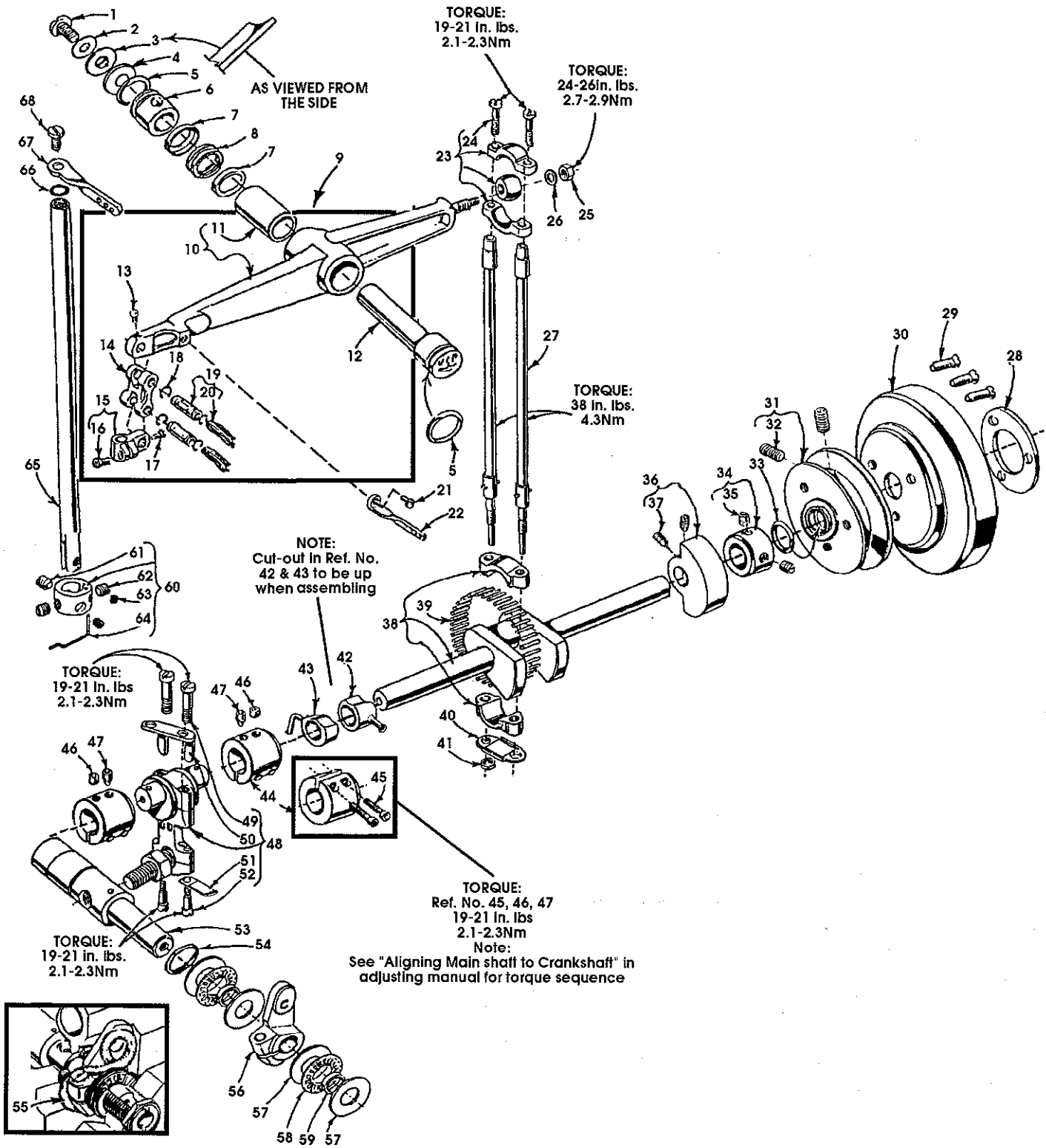
Ref.No.	Part No.	Description	Amt. Req.
1.	57880	Throat Plate Support	1
2.	51280J	Dowel Pin	2
3.	22839	Screw, for throat plate support	2
4.	660-313	Well Nut	2
5.	87	Screw, for throat plate	2
6.	-	Throat Plate (See Page 25)	1
7.	22585A	Screw	3
8.	22524	Screw	8
9.	56382G	Oil Reservoir Top Cover	1
10.	56382H	Gasket	1
11.	57795B	Synchronizer Bracket	1
12.	56382E	Gasket	1
13.	56382D	Crank Chamber Cover, lower	1
14.	22548	Screw	4
15.	56382L	Gasket	1
16.	22848	Screw	9
17.	22524	Screw	2
18.	56382AA	Oil Reservoir Back Cover	1
19.	22829	Screw	2
20.	56382J	Looper Drive Shaft Reservoir Cover	1
21.	56382K	Gasket	1
22.	56382AB	Oil Drip Plate	1
23.	56382Y	Oil Drip Plate Clamping Block	1
24.	59493A	Base Oil Pump Assembly	1
25.	666-214	Intake Felt	1
26.	660-230	Gasket	1
27.	258A	Nut	1
28.	21375CA	Belt Guard	1
29.	22829	Screw	2
30.	158B	Looper Thread Eyelet	1
31.	98A	Screw	3
32.	56391A	Looper Thread Guard	1
33.	52958B	Looper Thread Eyelet	1
34.	22848	Screw	1
35.	20	Washer	1
36.	539	Needle Thread Frame Eyelet	1
37.	22889A	Adapter Screw	1
38.	660-617	Gasket, needle bar eyelet	1
39.	96122A	Lock Washer	1
40.	99680	Eyelet Guard	1
41.	22517C	Screw	1
42.	23306AW	Elastic Guide Bracket	1
43.	22768B	Screw	2
44.	23306AU	Elastic Guide	1
45.	23306AV	Elastic Stop Guide	2
46.	25B	Screw	2
47.	22513	Screw	3
48.	22585	Screw	1
49.	56393D	Clamp, head oil tube	1
50.	7947	Nut	1
51.	56393C	Head Oil Tube Mounting Block	1
52.	51294R	Screw	1
53.	660-342	Lock Washer	1
54.	35731A	Presser Bar Connection Guide Plate	2
55.	56382N	Gasket	1
56.	23306AP	Head Cover Elastic Guide	1
57.	23306AV	Elastic Stop Guide	2
58.	25B	Screw	2
59.	22569C	Screw	2
60.	23306BK	Mounting Bracket	1
61.	22541C	Screw	1
62.	88D	Screw	4
63.	99654	Cable Clamp	2
64.	56782B	Head Cover	1
65.	22585A	Screw	1
66.	57770	Needle Thread Take-Up Wire	1
67.	33795	Guard, needle bar eyelet	1
68.	22894E	Screw	1



P082-93

MAIN FRAME, BUSHINGS, OIL GAUGE & MISCELLANEOUS OILING PARTS

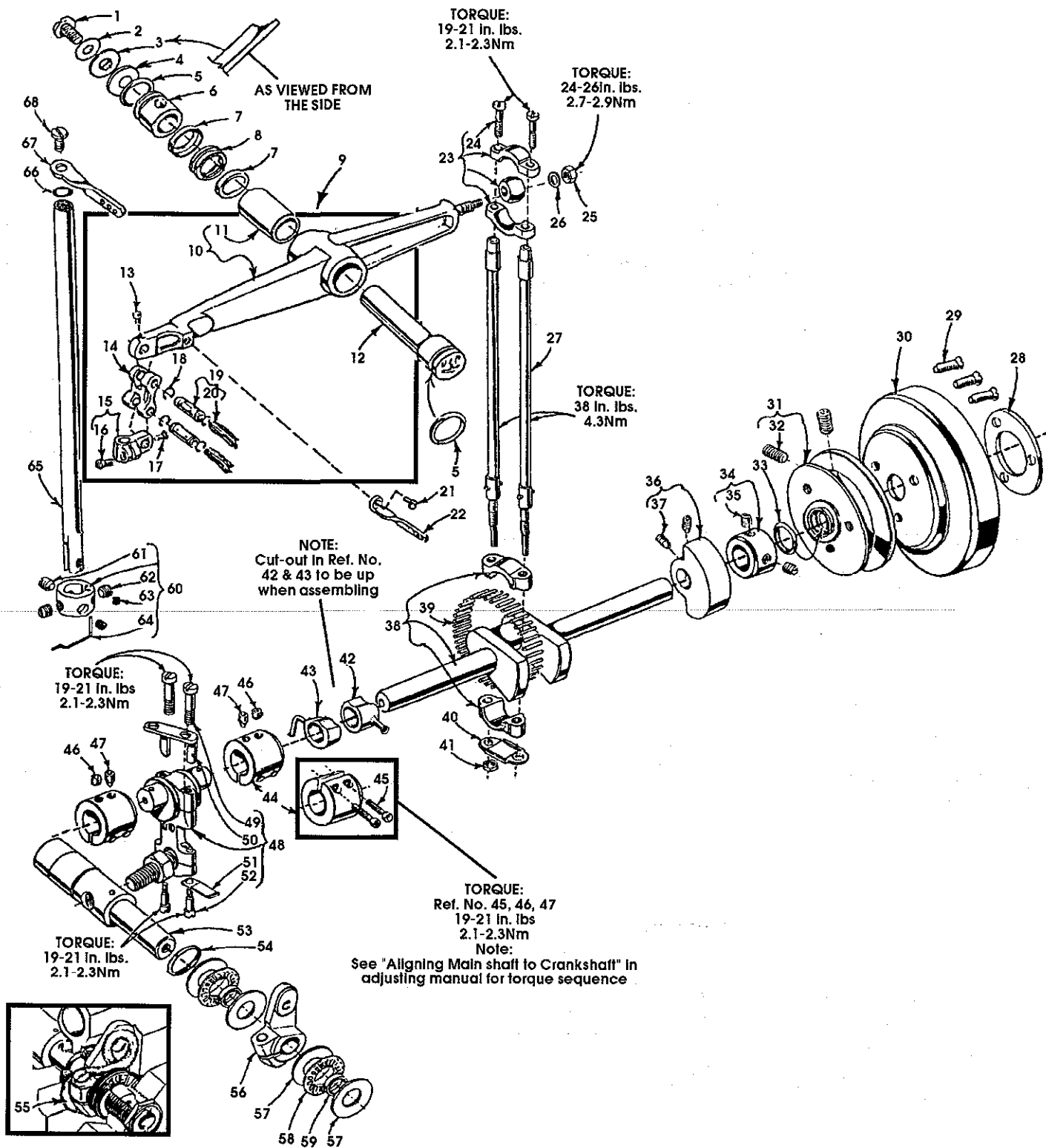
Ref.No.	Part No.	Description	Amt.Req.
1.	56382AM	Upper Crank Chamber Cover	1
2.	56382M	Gasket	1
3.	22733E	Oil Filler Plug Screw	1
4.	22541C	Screw	4
5.	56382C	Gasket	1
6.	90	Screw	2
7.	56382AC	Needle Lever Bearing Oiler and Baffle Plate Assembly	1
8.	56390H	Thrust Washer	4
9.	660-665	Needle Thrust Bearing	2
10.	56390J	Pilot Ring	2
11.	22569B	Screw	3
12.	57890B	Crankshaft Bushing Housing	1
13.	56390E	Bushing Housing Gasket	1
14.	63494K	Oil Gauge Assembly	1
15.	63494F	Nut	1
16.	63494G	Spring Washer	1
17.	660-455	"O" Ring	1
18.	56394B	Oil Gauge Connecting Rod	1
19.	56394C	Oil Gauge Float Lever Assembly	1
20.	22793	Screw	1
21.	660-221	Oil Retaining Ring	1
22.	61256G	Washer, oil gauge adjusting shaft	2
23.	11635B	Nut	1
24.	56394A	Oil Gauge Adjusting Shaft	1
25.	22711	Screw, lower chip guard	1
26.	57779	Chip Guard, lower	1
27.	22539R	Plug Screw	2
28.	52942AC	Adjusting Screw	1
29.	56342D	Nut, adjusting screw	1
30.	22848	Screw, front cloth guard	1
31.	20	Washer, front cloth guard screw	1
32.	57882G	Cloth Guard, front	1
33.	22848	Screw, cover support post	2
34.	57882C	Cover Support Post	1
35.	50-895BLK	Looper Rocker Shaft Bushing	2
36.	666-259	Felt	1
37.	57836B	Feed Rocker Shaft Bushing	2
38.	56390	Main Shaft Bushing, left	1
39.	57842B	Looper Drive Lever Shaft Bushing, rear	1
40.	56190	Main Shaft Bushing, center	1
41.	56393P	Base Felt, front	1
42.	52942W	Looper Drive Shaft Bushing, front	1
43.	35897BV	Oil Intake Filter	1
44.	56390G	Main Shaft Bushing, right	1
45.	56393T	Head Oil Pump Assembly	1
46.	56393L	Intake Felt	1
47.	56354C	Needle Bar Bushing, lower	1
48.	51257AA	Presser Bar Bushing, lower	1
49.	56393W	Oil Attraction Felt	1
50.	51154E	Needle Bar Bushing, upper	1
51.	21657X	Tension Release Lever Shaft Bushing	1
52.	63994C	Plug, bed	2
53.	56393Q	Base Felt, rear	1



P092-93

CRANKSHAFT, NEEDLE LEVER, NEEDLE BARS & LOOPER DRIVING PARTS

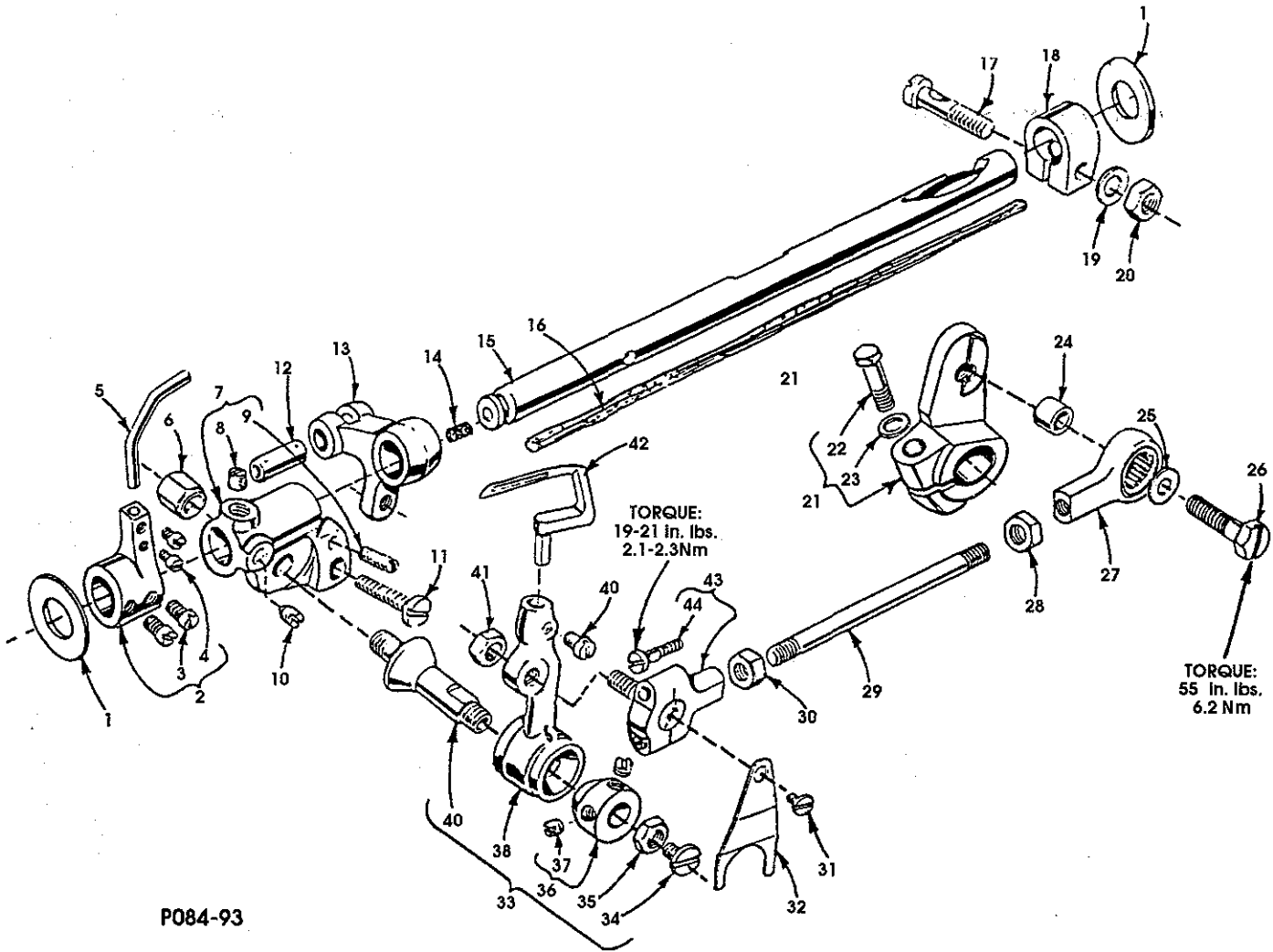
Ref.No.	Part No.	Description	Amt. Req.
1.	22586R	Screw	1
2.	51250F	Gasket	1
3.	51250D	Washer	1
4.	56382AK	Gasket	1
5.	660-625	"O" Ring	2
6.	56350E	Thrust Collar	1
7.	56350F	Thrust Washer	2
8.	660-614	Temper Load Ring	1
9.	29348AF	Needle Lever Assembly	1
10.	56315A	Needle Bar Lever	1
11.	56350G	Needle Bar Bushing	1
12.	56350D	Needle Lever Stud	1
13.	77	Screw	1
14.	56354D	Needle Bar Link	1
15.	51254K	Needle Bar Connection	1
16.	22562A	Screw	1
17.	22564	Screw	1
18.	660-215	Retaining Ring	4
19.	52336A	Link Pin	2
20.	WO-3	Yarn	6
21.	22768	Screw	1
22.	56958	Needle Lever Thread Eyelet	1
23.	29066R	Needle Lever Connecting Rod and Upper Bearing Assembly	1
24.	22559G	Screw	2
25.	51216P	Nut	1
26.	51216N	Washer	1
27.	56316	Needle Lever Connecting Rod	2
28.	61321L	Retaining Plate	1
29.	22574	Screw	3
30.	57821B	Handwheel	1
31.	56321S	Pulley	1
32.	22894AB	Screw	2
33.	660-202	"O" Ring	1
34.	57847	Thrust Collar	1
35.	95	Screw	2
36.	51247	Crankshaft Counterweight	1
37.	22894J	Screw	2
38.	29476LL	Crankshaft Assembly, marked "56322A", .910" (23.11 mm) throw	1
39.	51216M	Needle Bearing	28
40.	56316C	Connecting Rod Guide	1
41.	12934A	Nut	2
42.	-----	Head Oil Pump Assembly (See Page 9)	-
43.	-----	Base Oil Pump Assembly (See Page 7)	-
44.	56343F	Looper Drive Lever Crank Connection	2
45.	22653L-8	Screw	4
46.	22894C	Set Screw	2
47.	22894D	Spot Screw	2
48.	29105AM	Looper Drive Lever Crank Assembly	1
49.	22587K	Bearing Cap Screw, upper	2
50.	56343C	Ball Joint Guide Fork	1
51.	56343E	Oil Splasher	1
52.	22559A	Bearing Cap Screw, lower	2
53.	52942AA	Looper Drive Lever Rocker Shaft	1
54.	660-202	"O" Ring	1
55.	WO-3	Wool Yarn	1
56.	56342K	Looper Rocker Lever	1
57.	56390H	Thrust Washer	4
58.	660-665	Needle Thrust Bearing	2
59.	56390J	Pilot Ring	2
60.	thru 68. See following page		



PO92-93

CRANKSHAFT, NEEDLE LEVER, NEEDLE BARS & LOOPER DRIVING PARTS (CONT.)

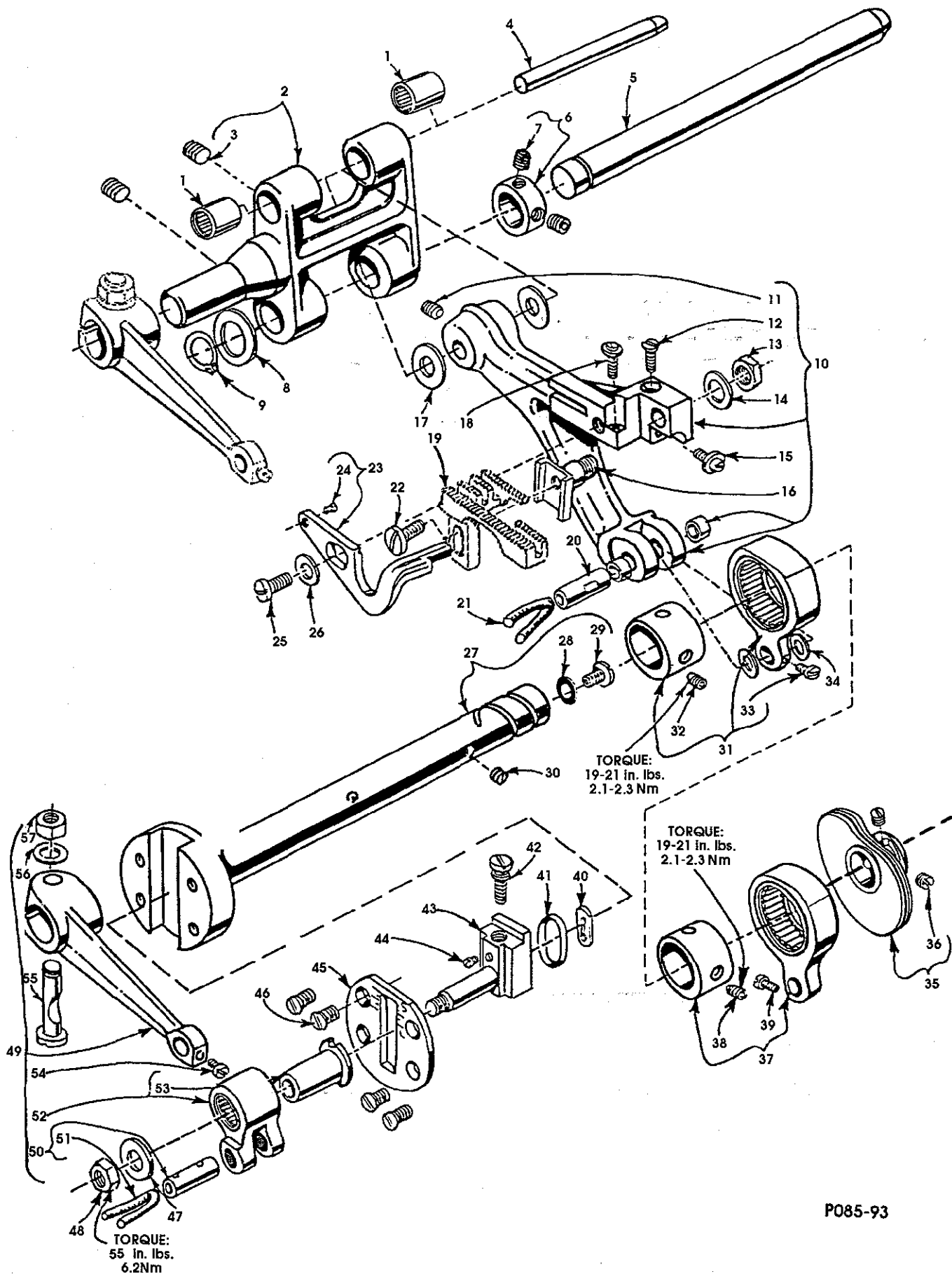
Ref.No.	Part No.	Description	Amt. Req.
1. thru 59. See preceding page			
60.	52818-8	Needle Holder	1
61.	89	Screw	1
62.	88B	Screw	2
63.	28B	Screw	1
64.	52842G	Thread Guide Wire	1
	- 52817E-8	Needle Bar, marked "BG-8", for No. 8 gauge	1
65.	52717E-12	Needle Bar, marked "EJ-12", for No. 12 gauge	1
66.	27-435BLK	Washer	1
67.	56958A	Needle Bar Thread Eyelet	1
68.	22804	Screw	1



P084-93

LOOPER ROCKER & CONNECTING ROD PARTS

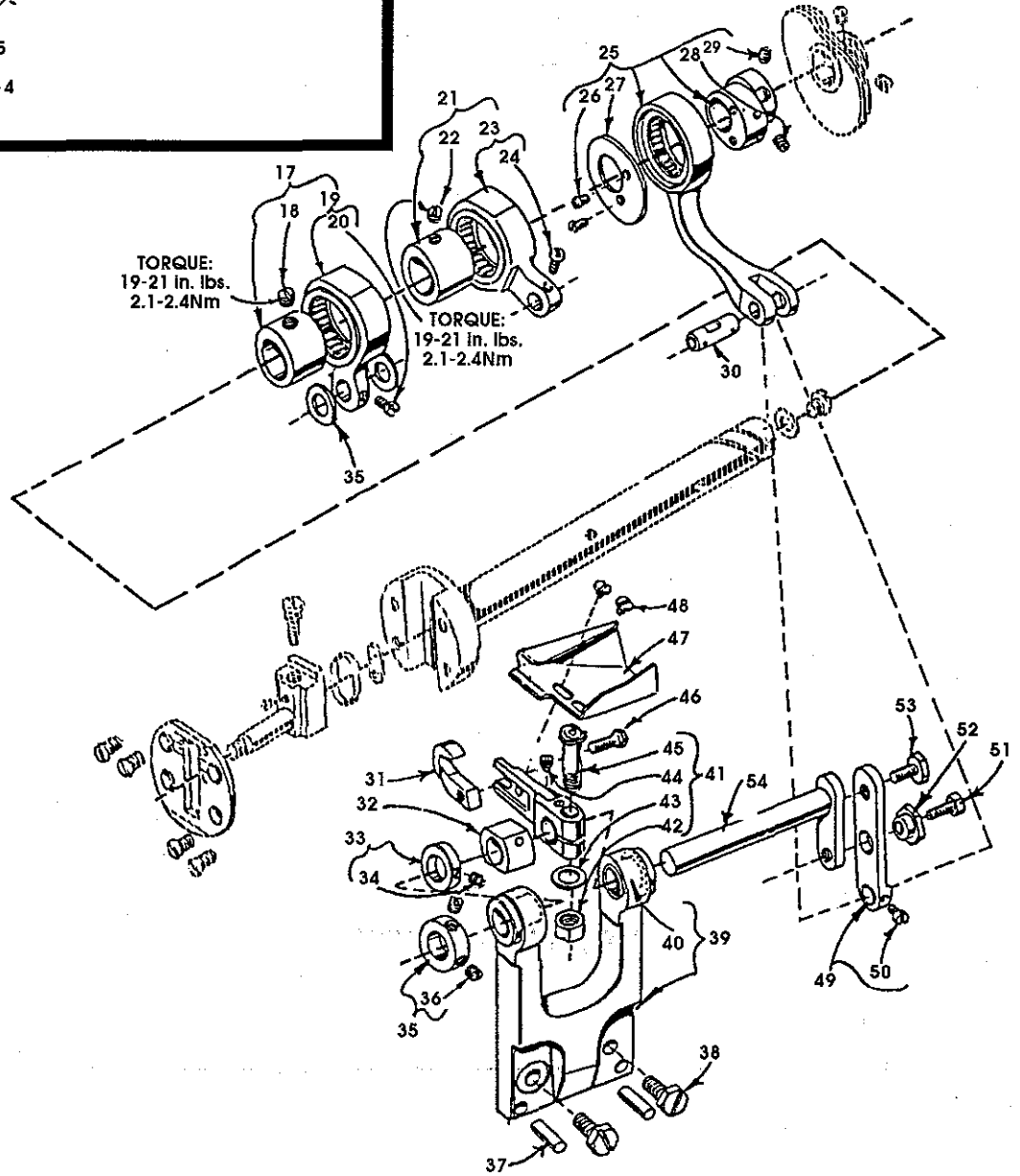
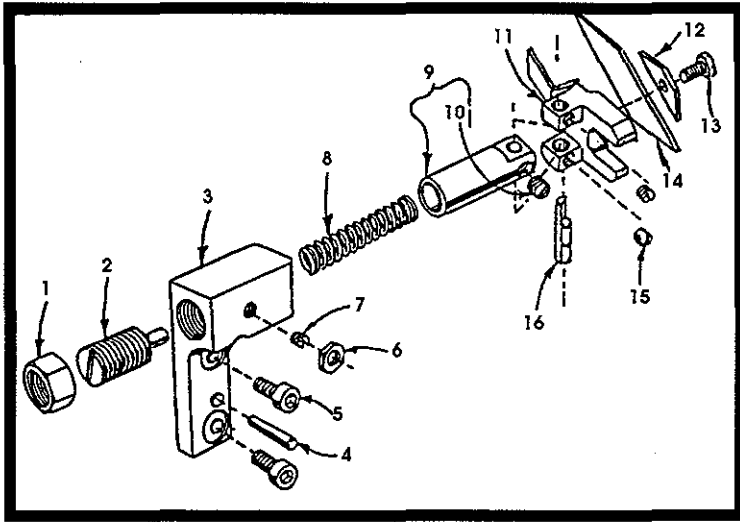
Ref.No.	Part No.	Description	Amt. Req.
1.	51244L	Thrust Washer	2
2.	52825D	Looper Needle Guard Holder	1
3.	33174B	Screw	2
4.	77	Screw	2
5.	57725B	Looper Needle Guard	1
6.	57846B	Looper Rocker Cone Stud Nut	1
7.	57744A	Looper Rocker Frame	1
8.	98	Set Screw	1
9.	719	Stop Screw	1
10.	96	Spot Screw	1
11.	22874	Looper Rocker Frame Lock Screw	1
12.	51236J	Looper Avoid Link Pin	1
13.	56344B	Looper Rocker Shaft Arm	1
14.	CO-67E	Cork	1
15.	57744	Looper Rocker Shaft	1
16.	WO-3	Columbia Yarn 4 strands 8" (203.2mm) long	-
17.	55244G	Looper Rocker Shaft Collar Stud	1
18.	51244N	Looper Rocker Shaft Collar	1
19.	51216N	Washer	1
20.	18	Nut	1
21.	56342K	Looper Drive Lever	1
22.	22882C	Screw	1
23.	20	Washer	1
24.	56341F	Ferrule	1
25.	20	Washer	1
26.	627	Hexagon Screw	1
27.	29476LV	Looper Connecting Rod Bearing Assembly	1
28.	18	Nut, right hand thread	1
29.	39141	Looper Connecting Rod	1
30.	269	Nut, left hand thread	1
31.	87U	Screw	1
32.	56393J	Looper Connecting Rod Ball Joint Oiler	1
33.	29192Z	Looper Rocker Assembly	1
34.	22829	Lock Nut Screw	1
35.	258	Lock Nut	1
36.	15465F	Looper Rocker Cone	1
37.	88	Screw	2
38.	57713	Looper Rocker, marked "W"	1
39.	51745	Looper Rocker Cone Stud, marked "B"	1
40.	73	Screw	1
41.	18	Nut	1
42.	52708B	Looper	1
43.	57841	Looper Connecting Rod Ball Joint, left	1
44.	22729C	Screw	2



P085-93

MAIN SHAFT, TAKE-UP & FEED DRIVING PARTS

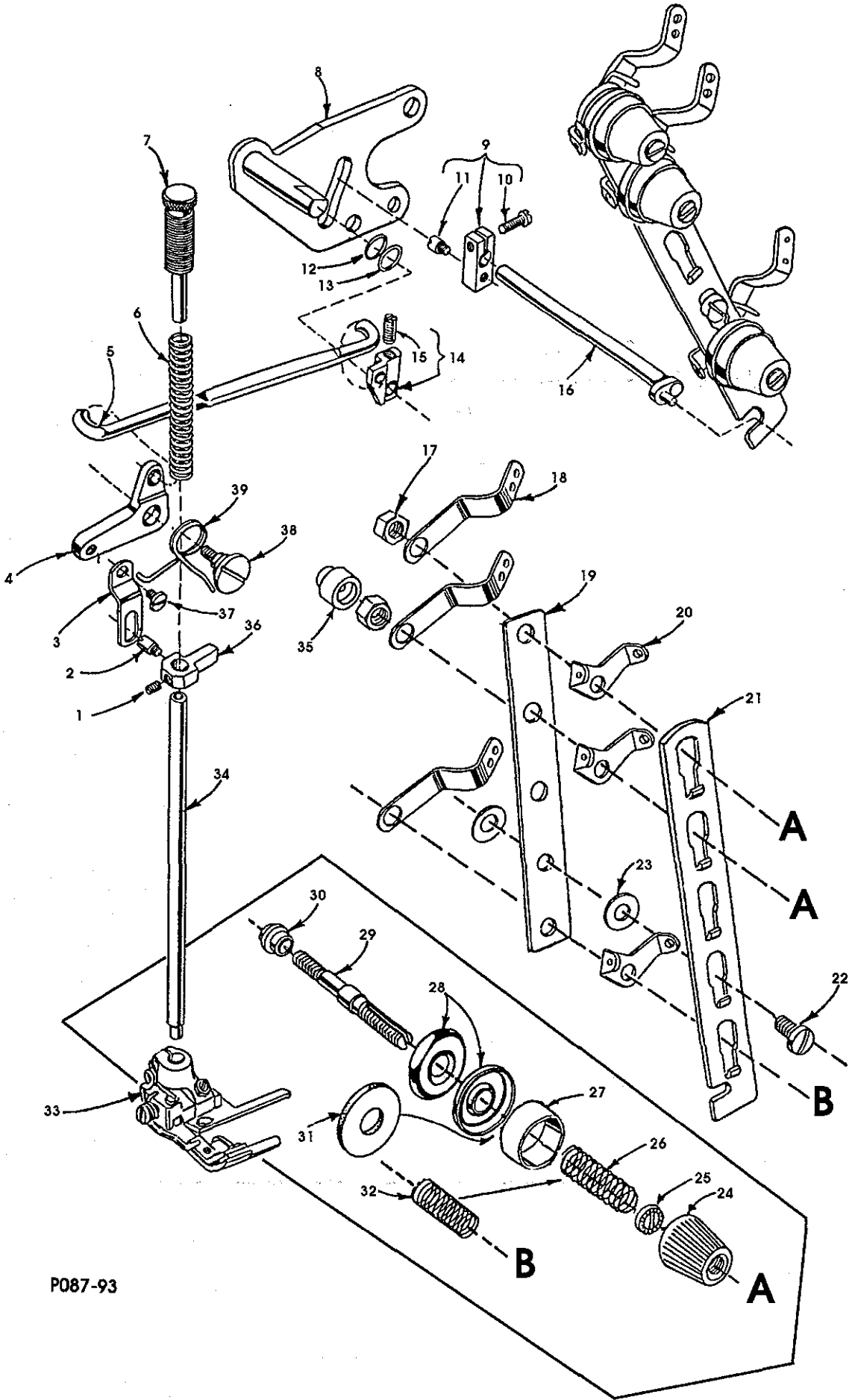
Ref.No.	Part No.	Description	Amt.Req.
1.	660-359	Needle Bearing	2
2.	56335B	Feed Rocker	1
3.	22651CD-4	Screw	2
4.	56334B	Feed Bar Shaft	1
5.	56335L	Feed Rocker Shaft	1
6.	56335D	Feed Rocker Shaft Collar	1
7.	98	Screw	2
8.	41391	Feed Rocker Shaft Thrust Washer	1
9.	660-438	Retaining Ring	1
10.	56334N	Feed Bar Assembly	1
11.	22651CB-4	Screw	1
12.	22637P-24	Feed Dog Height Adjusting Screw	1
13.	258A	Nut	1
14.	6042A	Feed Dog Holder Washer	1
15.	22863C	Feed Dog Holder Adjusting Screw	1
16.	56334L	Feed Dog Holder	1
17.	61341J	Feed Bar Washer	2
18.	22834A	Needle Guard Adjusting Screw	2
19.	-----	Feed Dog (See Page 25)	1
20.	51236J	Link Pin	1
21.	666-149	Oil Wick	1
22.	22528	Screw, for feed dog	1
23.	57725	Needle Guard	1
24.	22801	Set Screw	1
25.	22875H	Screw, for needle guard	1
26.	61434G	Washer	1
27.	57722A	Main Shaft	1
28.	56322B	Gasket	1
29.	22891B	Oil Flow Regulating Screw	1
30.	22801	Screw, take-up	1
31.	29476NM-072	Feed Lift Eccentric Assembly, .072" (1.83 mm) throw	1
32.	22894AA	Set Screw	1
33.	77	Screw	1
34.	39543N	Thrust Washer, feed bar	2
35.	52923D	Looper Thread Take-up	1
36.	22580D	Screw	2
37.	29476NM-062	Looper Avoid Eccentric Assembly, .062" (1.58 mm) throw	1
38.	22894AA	Set Screw	1
39.	77	Screw	1
40.	56336D	Feed Crank Stud Insert	1
41.	660-269B	Quad Ring	1
42.	22543A	Stitch Regulating Screw	1
43.	56336	Feed Crank Stud, marked "A"	1
44.	22798C	Screw	1
45.	56322C	Main Shaft Head Plate	1
46.	22525A	Screw	4
47.	21567E	Washer	1
48.	269	Nut, left thread	1
49.	56335S	Feed Rocker Arm and Feed Crank Link Sub-Assembly	1
50.	51054	Feed Crank Link Pin	1
51.	666-149	Oil Wick	1
52.	56336K	Feed Crank Link	1
53.	56336C	Feed Crank Link Ferrule	1
54.	77	Screw, link pin	1
55.	55235D	Locking Stud	1
56.	6042A	Washer	1
57.	55235E	Nut	1



P086-93

MAIN SHAFT & KNIFE DRIVING PARTS

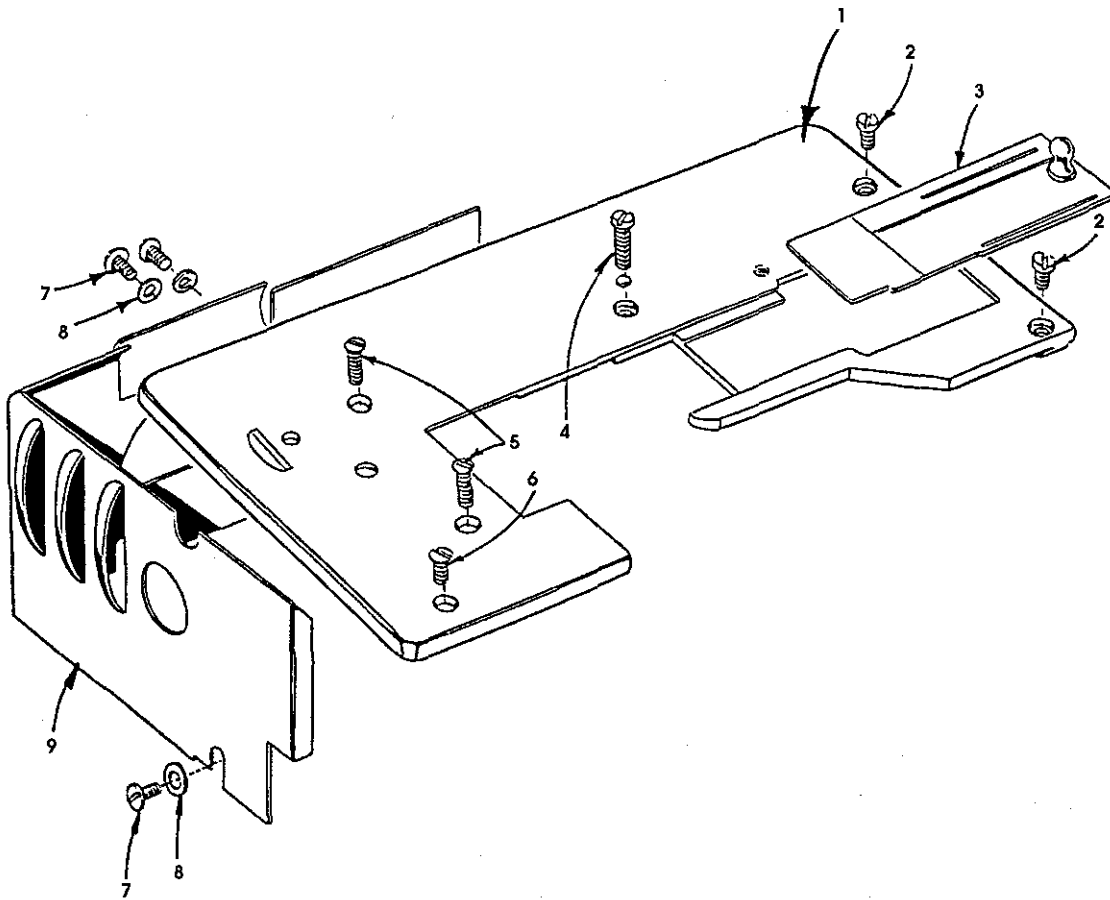
Ref.No.	Part No.	Description	Amt. Req.
1.	57795	Lock Nut	1
2.	22771A	Adjusting Screw	1
3.	57750D	Lower Knife Bracket	1
4.	667C-8	Dowel Pin	2
5.	22653B-8	Screw	2
6.	14077	Nut	1
7.	89	Screw	1
8.	57740	Spring	1
9.	57750E	Guide Shaft	1
10.	98	Screw	1
11.	57750C	Lower Knife Block	1
12.	57950B	Lower Knife Clamp	1
13.	22588A	Screw	1
14.	57949	Lower Knife	1
15.	88B	Screw	2
16.	57750H	Lower Knife Block Pin	1
17.	29476NM-072	Feed Lift Eccentric Assembly, .072" (1.83 mm) throw	1
18.	22894AA	Screw	1
19.	57845B	Eccentric Link Assembly	1
20.	77	Screw	1
21.	29476NM-062	Looper Avoid Eccentric Assembly, .062" (1.58 mm) throw	1
22.	22894AA	Screw	1
23.	57845B	Eccentric Link Assembly	1
24.	77	Screw	1
25.	29132AJ	Knife Drive Eccentric Assembly, .276" (7.01 mm) throw	1
26.	22KH	Screw	2
27.	57751	Eccentric Retaining Plate	1
28.	22560	Set Screw	2
29.	88	Screw	2
30.	51236J	Link Pin	1
31.	57770A	Upper Knife	1
32.	57750G	Lower Knife Bearing Block	1
33.	57735	Stop Collar	1
34.	22565C	Screw	1
35.	39147D	Collar	1
36.	88	Screw	2
37.	667C-10	Dowel Pin	2
38.	22852A	Screw	2
39.	57773B	Knife Bracket	1
40.	57773	Bushing	2
41.	57773A	Knife Drive Lever	1
42.	55235E	Nut	1
43.	6042A	Washer	1
44.	22764	Spot Screw	1
45.	57736A	Locking Stud	1
46.	79048	Screw	1
47.	57779A	Chip Guard, upper	1
48.	87U	Screw	2
49.	57750F	Knife Drive Link	1
50.	77	Screw	1
51.	22782A	Screw	1
52.	57750B	Eccentric Nut	1
53.	22567B	Screw	1
54.	57785	Knife Drive Shaft	1



P087-93

THREAD TENSION & LIFTER LEVER PARTS

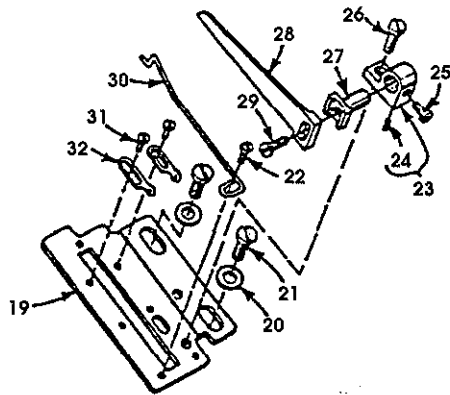
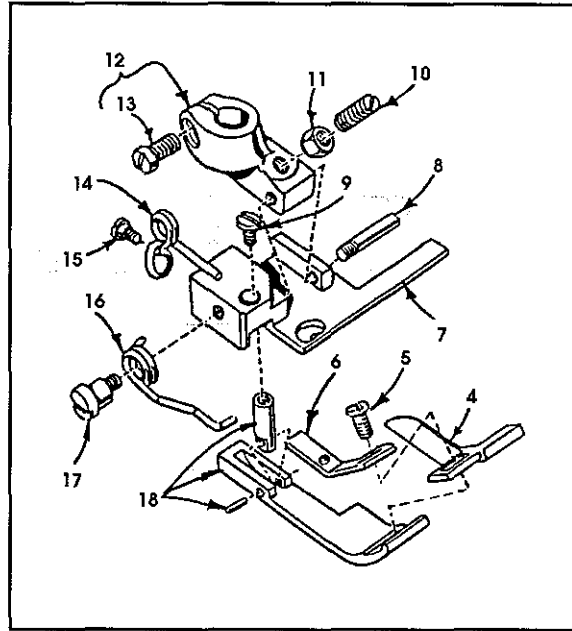
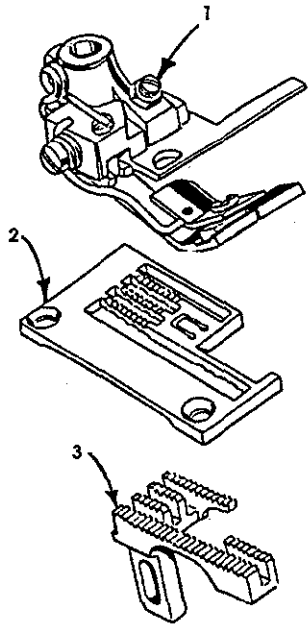
Ref.No.	Part No.	Description	Amt.Req.
1.	531	Screw	1
2.	402	Screw	1
3.	56383A	Lifter Lever Link	1
4.	56383AA	Lifter Lever Ball Crank	1
5.	56383AB	Lifter Lever Connecting Cable	1
6.	51256C	Presser Spring	1
7.	56356	Presser Spring Regulator	1
8.	51283H	Lifter Lever	1
9.	21567Y	Tension Release and Lifter Lever Shaft Connection	1
10.	22596	Screw	1
11.	402	Screw	1
12.	660-207	Oil Seal Ring	1
13.	39552C	Washer	1
14.	53783N	Lifter Lever Connection	1
15.	22537	Screw	1
16.	21657W	Tension Release and Lifter Lever Shaft	1
17.	43266	Nut, tension post	3
18.	51491C	Thread Lead-in Guide	3
19.	52992A	Tension Post Support	1
20.	51292D	Tension Post Eyelet	3
21.	21657AM-5	Tension Disc Separator	1
22.	22598C	Screw	1
23.	80557	Spacing Washer	6
24.	39592Z	Tension Nut	3
25.	39592AK	Tension Spring Ferrule	3
26.	51292F-5	Tension Spring, needle	2
27.	56392F	Tension Spring Shield	3
28.	109	Tension Disc	6
29.	56392E	Tension Post	3
30.	51292A	Tension Post Ferrule	3
31.	59292A	Felt Washer	1
32.	51292F-1	Tension Spring, looper	1
33.	----	Presser Foot (See Page 25)	1
34.	51257K	Presser Bar, marked "A"	1
35.	59292	Auxiliary Tension Post Support	1
36.	51257M	Presser Bar Connection and Guide	1
37.	22758C	Screw	1
38.	22557G	Screw	1
39.	56383D	Lifter Lever Ball Crank Spring	1



P089-93

CLOTH PLATES, COVERS, OIL SHIELD

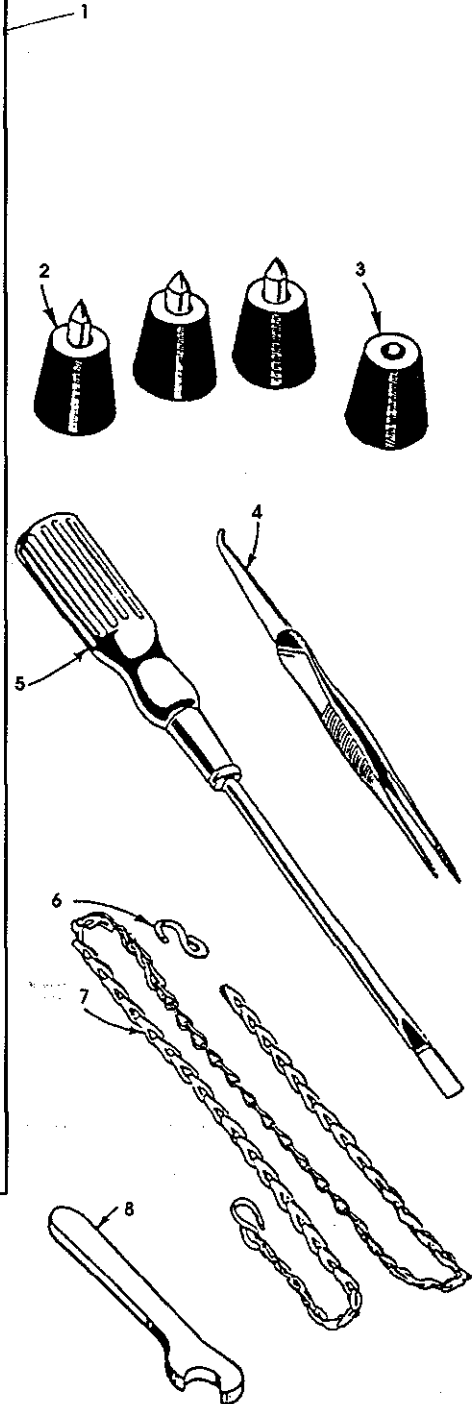
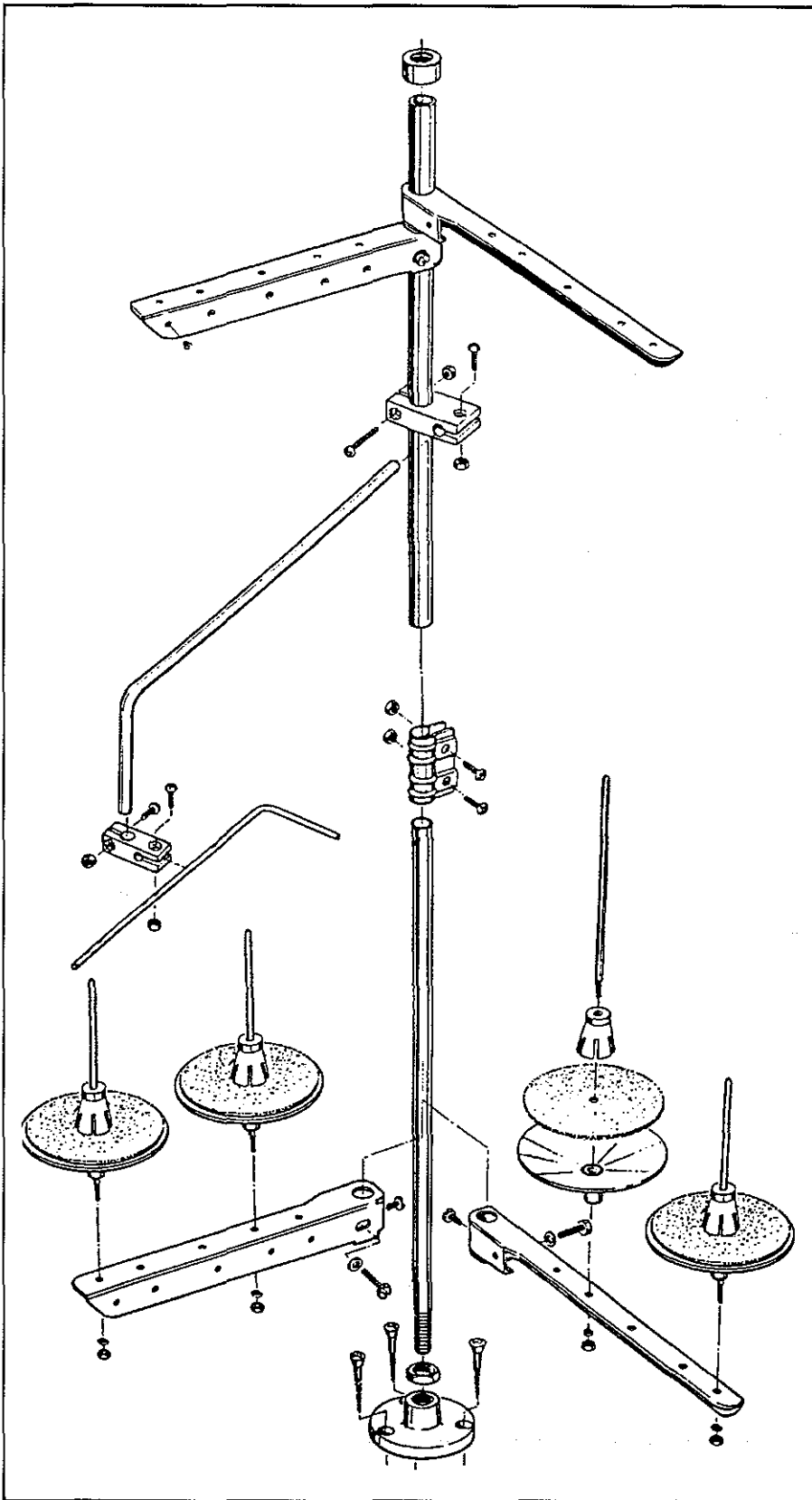
Ref.No.	Part No.	Description	Amt.Req.
1.	56401E	Cloth Plate	1
2.	22839C	Screw	2
3.	57802AA	Cloth Plate Cover	1
4.	22839E	Screw	1
5.	22526C	Screw	1
6.	22526D	Screw	2
7.	22848	Screw	3
8.	20	Washer	3
9.	51282AH	Oil Shield, end and back	1



P088-93

FEED DOGS, THROAT PLATES & PRESSER FEET

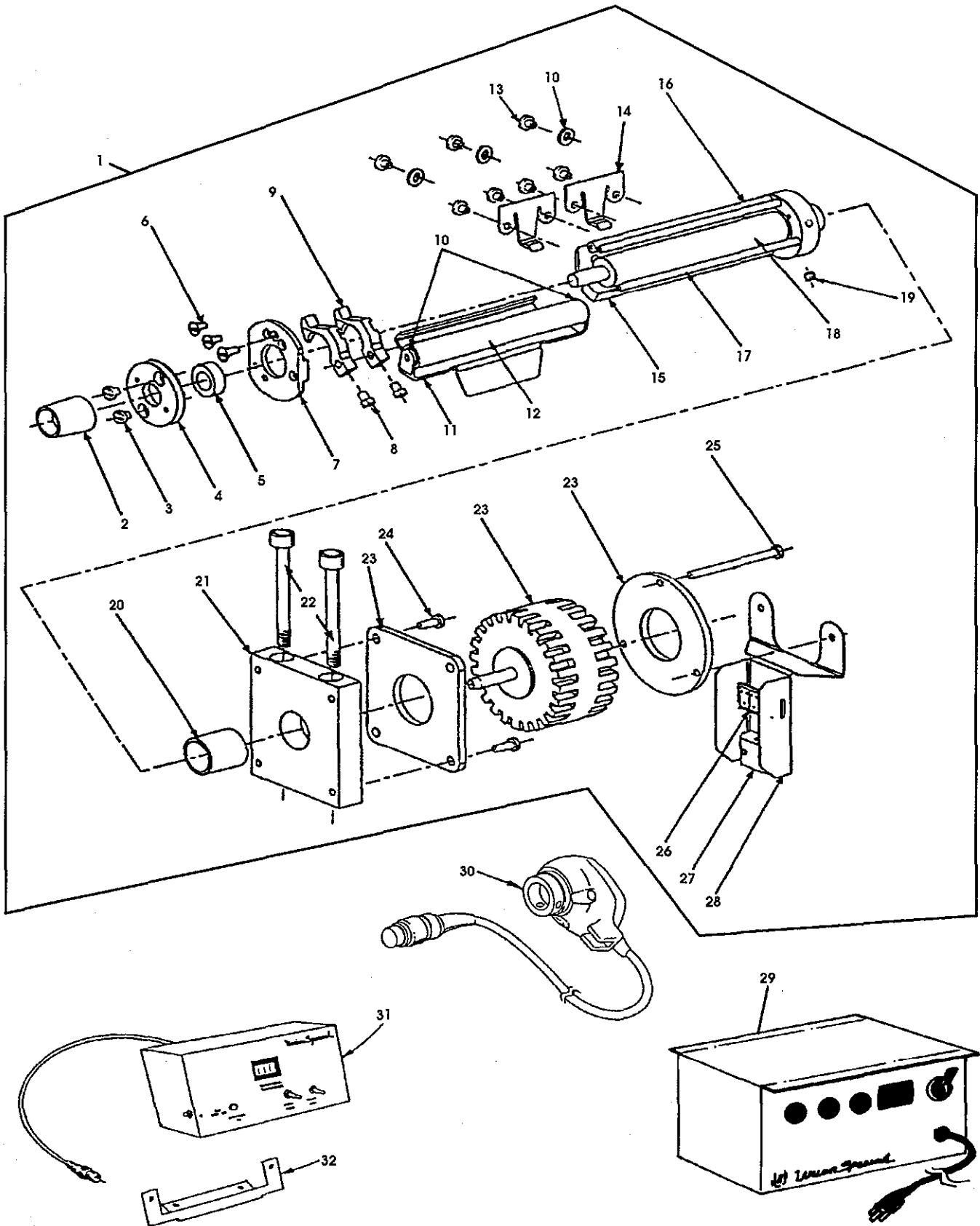
Ref.No.	Part No.	Description	Amt.Req.
1.	52720M-8	Presser Foot, for No. 8 gauge	1
-	52720M-12	Presser Foot, for No. 12 gauge	1
2.	C52728N-8	Throat Plate, for No. 8 gauge	1
-	C52724N-12	Throat Plate, for No. 12 gauge	1
3.	52705N	Feed Dog, 16 f.p.i	1
4.	52730AD	Presser Foot Chip Guard, marked "C"	1
5.	605A	Screw	1
6.	52730AE	Presser Foot Tape Guide	1
7.	52730AC-8	Presser Foot Bottom, for No. 52720M-8	1
-	52730AC-12	Presser Foot Bottom, for No. 52720M-12	1
8.	22799B	Hinge Screw	1
9.	73A	Screw	1
10.	22840A	Adjusting Screw	1
11.	51430F	Nut	1
12.	52730T	Presser Foot Shank	1
13.	91	Clamp Screw	1
14.	52730AB	Spring	1
15.	605	Screw	1
16.	52730Y	Spring, for No. 52720M-8	1
-	51230T	Spring, for No. 52720M-12	1
17.	57WD	Screw	1
18.	52730AF	Presser Foot Yielding Section	1
19.	57757B	Cast-off Support Plate	1
20.	69H	Washer	2
21.	22569D	Screw	2
22.	73A	Screw	1
23.	52904E	Retaining Finger Support Bracket	1
24.	50-216BLK	Dowel Pin	1
25.	87U	Screw	1
26.	22768	Screw	1
27.	52804E	Retaining Finger Support	1
28.	52904B	Retaining Finger	1
29.	22588A	Screw	1
30.	52904G	Cast-off Wire	1
31.	73A	Eyelet Screw	2
32.	52958D	Take-up Eyelet	2



P090-93

THREAD STAND & MISCELLANEOUS ACCESSORIES

Ref.No.	Part No.	Description	Amt.Req.
1.	21101W-4	Thread Stand, complete	1
2.	51295B	Isolator	3
3.	51295A	Isolator	1
4.	660-240	Thread Tweezers	1
5.	21201	Screwdriver, 9/64" (3.58 mm) round blade, length overall 7 5/8" (177.8 mm)	1
6.	660-264	"S" Hook	2
7.	421D-34	Treadle Chain, 34" (863.60 mm) long	1
8.	21388	Wrench, 3/8" (9.52 mm) open end	1



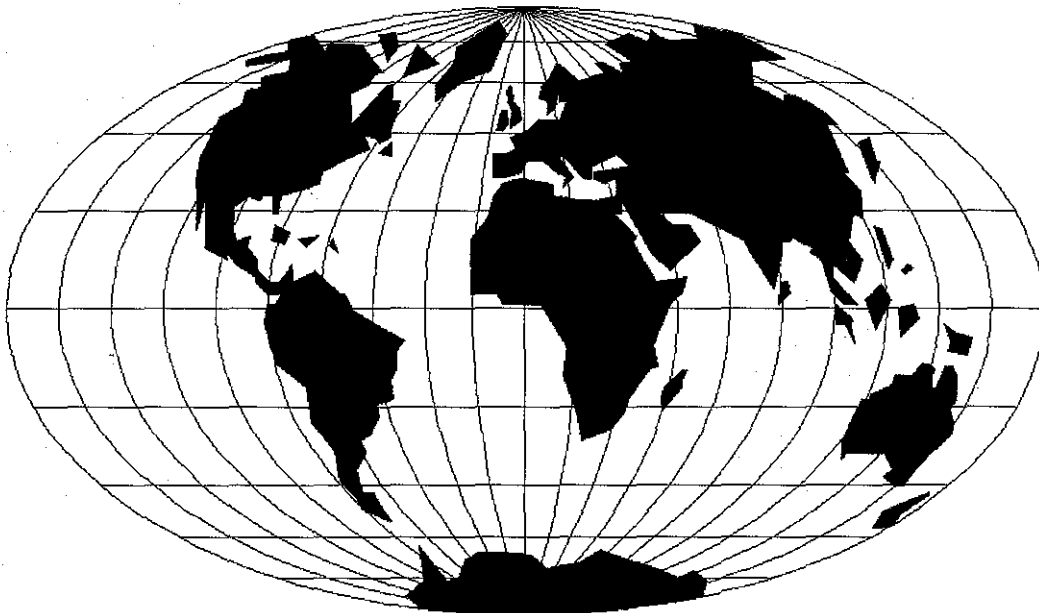
P130-93

STEPPER MOTOR METERING DEVICE & SYNCHRONIZER KIT

Ref.No.	Part No.	Description	Amt.Req.
1.	670H139	Stepper Motor Metering Device	1
2.	998-382	Knob	1
3.	25B	Screw	2
4.	34386KC	Cover	1
5.	999-106XA	Bearing	1
6.	99316	Screw	3
7.	34386KB	Cover	1
8.	77A	Screw	2
9.	34386B	Elastic Guide	2
10.	95956	Washer	5
11.	34386CB	Roller Bracket	1
12.	34386GD	Roller	1
13.	22737	Screw	7
14.	99697FC	Flat Spring	2
15.	34386AC	Knife Holder	1
16.	34386AB1	Stand Off	1
17.	34386AB2	Stand Off	2
18.	34386EH	Roller	1
19.	22743	Set Screw	2
20.	35086WD1	Bushing	1
21.	35086WD	Mounting Plate	1
22.	22653B36	Mounting Screw	2
23.	997YY-455	Motor and Cable Assembly	1
24.	95166V	Screw M3 X 8	4
25.	95167DV	Screw M3 x 40	3
26.	90241G	Motor Wire Connection	1
27.	90233MBA	Clamp	1
-	35086X	Connector Bracket	1
28.	35086LXD	Plate	1
29.	670N5	Driver Box	1
30.	670M10	Synchronizer	1
31.	670N4	Control Box	1
32.	AS12-13	Mounting Bracket	1

NUMERICAL INDEX OF PARTS

109 21	22804 13	43266 21	55244G 15	56393T 9	63494F 9
11635B 9	22829 7, 15	50-216BLK 25	56190 9	56393W 9	63494G 9
12934A 11	22834A 17	50-895BLK 9	56305E 11	56394A 9	63494K 9
14077 19	22839 7	51054 17	56315A 11	56394B 9	63994C 9
15465F 15	22839C 23	51154E 9	56316 11	56394C 9	660-202 11
158B 7	22839E 23	51216M 11	56316C 11	5639H 11	660-207 21
18 15	22840A 25	51216N 11, 15	56321S 11	56401E 23	660-215 11
20 7, 9, 15, 23	22848 7, 9, 23	51216P 11	56322B 17	56458 11	660-221 9
21101W-4 27	22852A 19	51230T 25	56322C 17	56782B 7	660-230 7
21201 27	22863C 17	51236J 15, 17, 19	56334B 17	56958 11	660-240 27
21375CA 7	22874 15	51244L 15	56334L 17	56958A 13	660-264 27
21388 27	22875 17	51244N 15	56334N 17	57701A 23	660-269B 18
21567E 17	22875H 17	51247 11	56335B 17	57713 15	660-313 7
21567Y 21	22882C 15	51250D 11	56335D 17	57722A 17	660-342 7
21657AM-5 21	22889A 7	51250F 11	56335L 17	57725 17	660-359 17
21657W 21	22891B 17	51254K 11	56335S 17	57725B 15	660-438 17
21657X 9	22894AA 17, 19	51256C 21	56336 17	57735 19	660-455 9
22513 7	22894AB 11	51257AA 9	56336C 17	57736A 19	660-614 11
22517C 7	22894C 11	51257K 21	56336D 17	57740 19	660-617 7
22524 7	22894D 11	51257M 21	56336K 17	57743A 11	660-625 11
22525A 17	22894J 11	51280J 7	56341F 15	57744 15	660-665 9, 11
22526C 23	22894P 19	51282AH 23	56342D 9	57744A 15	666-149 17
22526D 7, 23	22KH 19	51283H 21	56342G 11, 15	57750B 19	666-214 7
22528 17	23306AP 7	51292A 21	56342J 15	57750C 19	666-259 9
22537 21	23306AV 7	51292D 21	56342K 11, 15	57750D 19	667C-10 19
22539R 9	23306AW 7	51292F-1 21	56343C 11	57750E 19	667C-8 19
22541C 7, 9	258 15	51292F-5 21	56343E 11	57750F 19	670H139 29
22543A 17	258A 7, 17	51294R 7	56343F 11	57750G 19	670M10 29
22548 7	25B 7, 29	51295A 27	56344B 15	57750H 19	670N4 29
22557G 21	269 15, 17	51295B 27	56350E 11	57751 19	670N5 29
22559A 11	27-435BLK 13	51430F 25	56350F 11	57757B 25	69H 25
22559G 11	28B 13	51491C 21	56350G 11	57770 7	719 15
22560 19	29066R 11	51745 15	56354C 9	57770A 19	73 15
22562A 11	29105AM 11	52336A 11	56354D 11	57773 19	73A 25
22564 11	29132AJ 19	52705N 25	56356 21	57773A 19	77 11, 15, 17, 19
22565C 19	29192Z 15	52708B 15	56382AA 7	57773B 19	77A 29
22567B 19	29348AF 11	52717E-12 13	56382AB 7	57779 9	77P 19
22569B 9	29476LL 11	52720M-12 25	56382AC 9	57779A 19	79048 19
22569C 7	29476LV 15	52720M-8 25	56382AK 11	57785 19	80557 21
22569D 25	29476LY 15	52730AB 25	56382AM 9	57795 19	87 7
22574 11	29476NM-062 17, 19	52730AC 25	56382C 9	57795 B 7	87U 15, 19, 25
22580D 17	29476NM-072 17, 19	52730AC-12 25	56382D 7	57795B 7	88 15, 19
22585A 7	33174B 15	52730AC-8 25	56382E 7	57802AA 23	88B 13, 19
22586R 11	33795 7	52730AD 25	56382G 7	57821B 11	88D 7
22587K 11	34386AB1 29	52730AE 25	56382H 7	57836B 9	89 13, 19
22588A 19, 25	34386AB2 29	52730AF 25	56382J 7	57841 15	90 9
22596 21	34386AC 29	52730T 25	56382K 7	57842B 9	90233MBA 29
22598C 21	34386B 29	52730Y 25	56382L 7	57845B 19	90241G 29
22637P-24 17	34386CB 29	52804E 25	56382M 9	57846B 15	91 25
22651CB-4 17	34386EH 29	52817E-8 13	56382N 7	57847 11	95 11
22651CD-4 17	34386GD 29	52818-8 13	56382Y 7	57880 7	95166V 29
22653B-8 19	34386KB 29	52825D 15	56383A 21	57882C 9	95167DV 29
22653B36 29	34386KC 29	52842G 13	56383AA 21	57882G 9	95956 29
22653L 11	35086LXD 29	52904B 25	56383AB 21	57890B 9	96 15
22711 9	35086WD 29	52904E 25	56383D 21	57949 19	96122A 7
22729C 15	35086WD1 29	52904G 25	56390 9	57950B 19	98 15, 17, 19
22733E 9	35086X 29	52923D 17	56390E 9	57WD 25	98A 7
22737 29	35731A 7	52942AA 11	56390G 9	59292 21	99316 29
22743 29	35897BV 9	52942AC 9	56390H 9	59292A 21	99654 7
22758C 21	39141 15	52942W 9	56390J 9, 11	59493A 7	99680 7
22764 19	39147D 19	52958B 7	6042A 7	6042A 17, 19	99697FC 29
22768 11, 25	39543N 17	52958D 25	56391A 7	605 25	997YX-455 29
22768B 7	39552C 21	52992A 21	56392E 21	605A 25	997YY-455 29
22771A 19	39592AK 21	531 21	56392F 21	61256G 9	998-382 29
22782A 19	39592Z 21	53783N 21	56393C 7	61321L 11	999-106XA 29
22793 9	402 21	539 7	56393J 15	61341J 17	C52724N-12 25
22798C 17	41391 17	55235D 17	56393L 9	61434G 17	C52728N-8 25
22799B 25	421D-34 27	55235E 17, 19	56393P 9	627 15	CO-67E 15
22801 17			56393Q 9		WO-3 11, 15



WORLDWIDE SALES AND SERVICE

Union Special Corporation maintains sales and service facilities throughout the world. These offices will aid you in the selection of the right sewing equipment for your particular operation. Union Special Corporation representatives and service technicians are factory trained and are able to serve your needs promptly and efficiently. Whatever your location, there is a qualified representative to serve you.

Corporate Offices:

One Union Special Plaza
Huntley, IL 60142
(708) 669-5101

Union Special GmbH
Raiffeisenstrasse 3
D-71696 Möglingen, Germany
Tel. 07141-2470

Brussels, Belgium
Commerce, CA
Leicester, England
Lille, France
Miami, FL
Möglingen, Germany
Huntley, IL
Milan, Italy
Osaka, Japan
Hong Kong
Charlotte, N.C.
Montreal, Quebec
El Paso, TX
Mission, TX

Other Representatives throughout
all parts of the world.



Union Special
INDUSTRIAL SEWING EQUIPMENT